

Tips for preparation and processing indoors

1

Surface/application

- > Must be dry, smooth, free of loose material, dust and dirt, grease, wax and silicon.
- > In order to achieve maximum adhesion, non-absorbent surfaces should be cleaned with alcohol (ethanol, isopropyl alcohol).
- > Adhesive sheets are suitable for both absorbent and non-absorbent surfaces, although non-absorbent surfaces are recommended. In the case of porous or highly absorbent surfaces, e.g. brickwork, for MultiStyle (MS) we recommend our SIBUKLE D22 HV dispersion adhesive as a suitable first coat. We also recommend SIBUKLE D22 HV dispersion adhesive when using non-adhesive structure-line (SL) and deco-line (DM) sheets on porous or highly absorbent surfaces, e.g. brickwork, gypsum plasterboard and untreated chipboard.
- > In the case of a non-absorbent surface, surface tension should amount to a minimum of 38 dyn (industry information).
- > Where the surface is concave or convex, with the exception of Multistyle, all sheet edges must be anchored mechanically using profiles.

2



IMPORTANT!

- > Following receipt, rolled goods should be laid out flat for around 24 hours at room temperature and if necessary, subjected to additional weight.

3



Cutting, drilling, punching, sawing

- > Cutting must always take place starting from the upper/patterned surface.
- > In the case of sheets with coatings on both sides, follow the instructions provided on the sheet!

4



Bonding

- > The ideal working temperature is between +15° C and +30° C (+59° F to +86° F).
- > The patterned sheets must be acclimatised, i.e. they must be brought up to room temperature prior to processing (avoidance of condensation on the adhesive surface).
- > A temperature increase of 10° C (50° F) will cause our products to expand by approximately 0.7 mm over a length of 1 m.
- > As a rule, an approx. 2-3 mm gap should be left at the rim of sheets for expansion.
- > In the case of higher ambient temperatures, or major temperature fluctuations, the **expansion gaps** should be larger and smaller sheet dimensions selected.
- > Air bubbles must be avoided; use a medium-hard rubber roller with a width of approx. 170 mm.
- > Gradually remove the adhesive backing cover and **press as firmly as possible** onto the underlying surface. Do not touch the adhesive surface. In order to avoid any lifting, please note the following: In the case of structure-line (SL), punch-line (PL) and 3D mechanical anchorage using edge profiles is essential at temperatures of over 40° C (104° F). When using Multistyle at temperatures of over 40° C (104° F), select smaller sheet dimensions. deco-line (DM) and leather-line (LL) can be employed without profiles, but these nonetheless provide additional security, as not all surfaces provide equal adhesion values. Any mounting strips or edge profiles used may not prevent possible expansion of the SIBU sheets!

WARNING: Do not employ adhesives containing solvents as these can dissolve our backing material!

5



Surface protection

- > The upper sheet surface is safeguarded against damage by a protective film, which is first removed after processing.

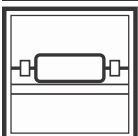
6



Cleaning

- > In the case of thin dirt:
 - Use a soft cleaning cloth, which is dust- and dirt-free.
- > In the case of thick dirt:
 - Use a standard plastic or glass cleaning agent.
 - Do not spray the cleaner directly onto the material surface, but sparingly onto a soft cloth!
- > Do not employ abrasives, cleaning agents containing solvents, or pure alcohol.
- > Clean leather surfaces using standard liquid soap and then remove it with a damp cloth.

7



Printing

- > Use screen and digital printing on smooth surfaces. Digital printing is possible on patterned surfaces.
- > Digital printing may be used with Multistyle. Screen printing results depend upon the respective motif. We are pleased to supply original samples for testing.

8



Wet rooms

- > Our products are suitable for use in bathrooms

IMPORTANT!

Direct contact with water is to be avoided!

Our products are not recommended for use near open flames or other heat sources. The non-binding information and instructions for use have been prepared according to the best of our knowledge on the basis of our tests and experience. We guarantee the uniform quality of our products. Standard colour fluctuations do not constitute a reason for complaint! The results of processing and care are the responsibility of the customer, as we have no influence on unusual conditions. Therefore, we recommend that our products be tested as to their suitability for the intended purposes and processing methods. Adhesive packing tape should not come into contact with the patterned surfaces. For further information, please contact us directly.

Tips for preparation and processing indoors

1

Surface/application

- > Must be dry, smooth, free of loose material, dust and dirt, grease, wax and silicon.
- > In order to achieve maximum adhesion, non-absorbent surfaces should be cleaned with alcohol (ethanol, isopropyl alcohol).
- > SIBU elements are suitable for both absorbent and non-absorbent surfaces.
- > In the case of a non-absorbent surface, surface tension should amount to a minimum of 38 dyn (industry information).
- > The smallest possible convex or concave bending radius amounts to 150 mm and presupposes mechanical anchorage at the ends of the element.

2



IMPORTANT!

- > Following receipt, rolled goods with a diameter of min. 400 mm should be unpacked immediately, laid out flat for around 24 hours at room temperature and if necessary, subjected to additional weight.

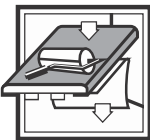
3



Cutting, drilling, punching, sawing

- > Cutting must always take place starting from the upper/patterned surface.
- > SIBU elements must be sawn for bevelling and precise edge angles! When using Leguan Leather, always saw using an overlay.

4



Bonding

- > The ideal working temperature is between +15° C and +30° C (+59° F to +86° F).
- > SIBU elements must be acclimatised, i.e. they must be brought up to room temperature prior to processing (avoidance of condensation on the adhesive surface).
- > A temperature increase of 10° C (50° F) will cause SIBU elements to expand by approximately 0.7 mm over a length of 1 m.
- > Where several SIBU elements are to be bonded adjacent to one another, a 2 mm gap must be maintained.
- > In the case of higher ambient temperatures or major temperature fluctuations, the **expansion gaps** should be larger.
- > Gradually remove the adhesive backing cover and **press as firmly as possible** onto the underlying surface.

IMPORTANT!

The precise positioning of SIBU elements on the underlying surface is essential, as once bonded, the elements cannot be stuck down again.

- > Subsequently press down the entire surface of the SIBU elements using a medium-hard rubber roller.

5



Surface protection

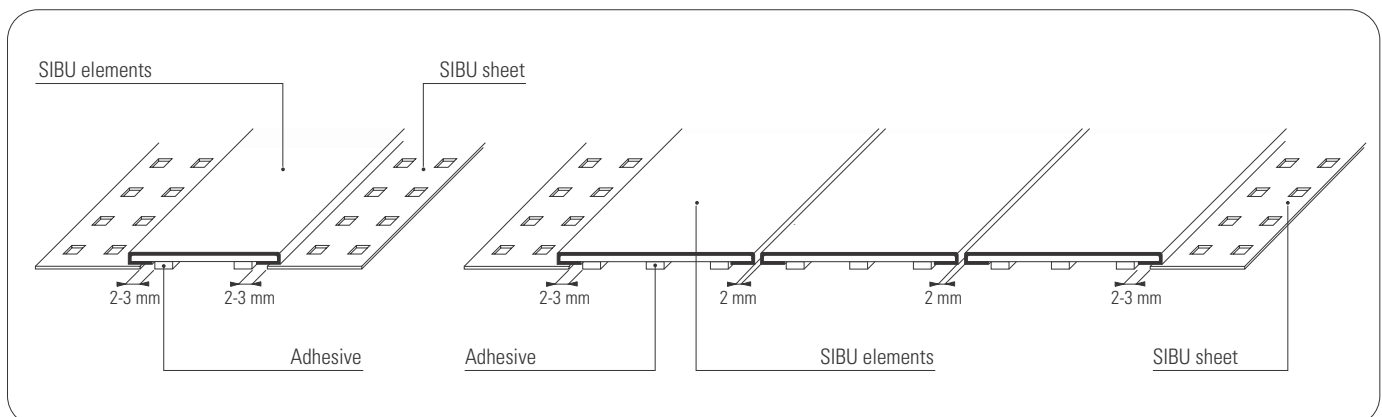
- > SIBU elements are safeguarded against damage by a protective film, which is first removed after processing.

6



Cleaning

- > Clean SIBU elements using standard liquid soap and then remove it with a damp cloth.
- > Do not spray the cleaner directly onto the material surface, but sparingly onto a soft cloth!
- > Do not employ abrasives, cleaning agents containing solvents, or pure alcohol.



Our products are not recommended for use near open flames or other heat sources. The non-binding information and instructions for use have been prepared according to the best of our knowledge on the basis of our tests and experience. We guarantee the uniform quality of our products. Standard colour fluctuations do not constitute a reason for complaint! The results of processing and care are the responsibility of the customer, as we have no influence on unusual conditions. Therefore, we recommend that our products be tested as to their suitability for the intended purposes and processing methods. Adhesive packing tape should not come into contact with the patterned surfaces. For further information, please contact us directly.

Tips for preparation and processing indoors

1

Surface/application

- > Must be dry, smooth, free of loose material, dust and dirt, grease, wax and silicon.
 - > In order to achieve maximum adhesion, non-absorbent surfaces should be cleaned with alcohol (ethanol, isopropyl alcohol).
 - > Profiles are suitable for both absorbent and non-absorbent surfaces, although non-absorbent surfaces are recommended.
- WARNING:** Do not employ adhesives containing solvents as these can dissolve our backing material!
- > In the case of a non-absorbent surface, surface tension should amount to a minimum of 38 dyn (industry information).

2



Cutting, drilling, punching, sawing

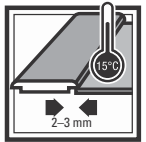
- > Cutting must always take place starting from the upper/patterned surface.
- > Profiles must be sawn for bevelling and precise edge angles!

3



Bonding

- > The ideal working temperature is between +15° C and +30° C (+59° F to +86° F).
- > The profiles must be acclimatised, i.e. they must be brought up to room temperature prior to processing (avoidance of condensation on the adhesive surface).
- > A temperature increase of 10° C (50° F) will cause our profiles to expand by approximately 0.7 mm over a length of 1 m.
- > In the case of higher ambient temperatures or major temperature fluctuations, the **expansion gaps** should be larger.



- > Gradually remove the adhesive backing cover and **press as firmly as possible** onto the underlying surface.
- IMPORTANT!**
The precise positioning of the profiles on the underlying surface is essential, as once bonded, the profiles cannot be stuck down again.
- > Subsequently press down the entire surface of the profile using a medium-hard rubber roller.

4



Surface protection

- > The majority of our profiles are safeguarded against damage by a protective film, which is first removed after processing.

5

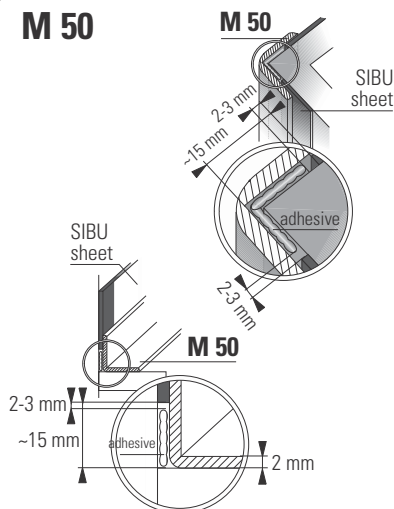


Cleaning

- > Clean the profiles using a standard plastic or glass cleaning agent.
- > Do not spray the cleaner directly onto the material surface, but sparingly onto a soft cloth!
- > Do not employ abrasives, cleaning agents containing solvents, or pure alcohol.

Our products are not recommended for use near open flames or other heat sources. The non-binding information and instructions for use have been prepared according to the best of our knowledge on the basis of our tests and experience. We guarantee the uniform quality of our products. Standard colour fluctuations do not constitute a reason for complaint! The results of processing and care are the responsibility of the customer, as we have no influence on unusual conditions. Therefore, we recommend that our products be tested as to their suitability for the intended purposes and processing methods. Adhesive packing tape should not come into contact with the patterned surfaces. For further information, please contact us directly.

M 50



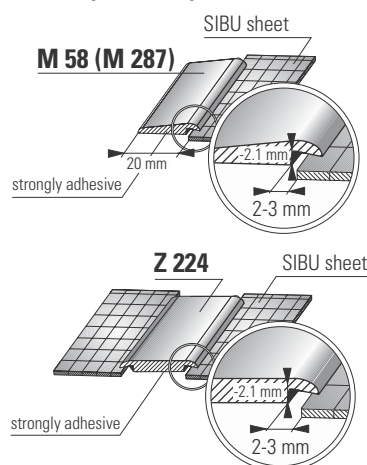
Non-adhesive, flexible interior and exterior corner profile with dimensions of 2,705 x 50 mm. Stick the corner profile onto the underlying surface with adhesive.

Spread a bead of adhesive with a max. width of 15 mm from the flexible mid-section of the profile in the appropriate thickness. Position the profile and fix it along its entire length using several pieces of adhesive tape.

IMPORTANT!

Only remove the adhesive tape and the protective film from the profile after the adhesive has hardened.

M 58 (M 287) and Z 224

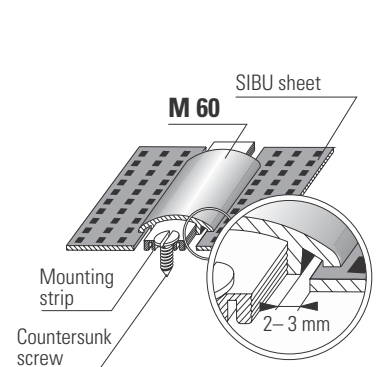


Strongly adhesive edge or middle profile with dimensions of 2,705 x 22 mm (M 287: 2,705 x 28 mm). These profiles are suitable for both absorbent and non-absorbent surfaces, whereby a non-absorbent surface is recommended.

IMPORTANT!

The positioning of the profile must be selected in a manner, which permits the material expansion of the covered sheet behind the profile nose. (see pictogram)

M 60



Non-adhesive, 2-part edge and interim profile with dimensions of 2,660 x 25 mm.

Stick on the sheets at intervals of 23 mm, then attach the mounting strip to the underlying surface in the centre and add the cover profile.

IMPORTANT!

The positioning of the profile must be selected in a manner, which permits the material expansion of the covered sheet behind the profile nose. (see pictogram)